

FEATURES

- Three way solenoid valves, direct operated
- Valve do not require a minimum operating pressure
- The solenoid valves satisfy all relevant EC Directives

GENERAL

Differential pressure 0 to 20 bar [1 bar = 100 kPa]
Maximum viscosity 65 cSt (mm²/s)
Response times 5 - 25 ms

fluids (*)	temperature range (TS)	seal materials (*)
air, inert gas, water, oil	-40 to +90°C	NBR (nitrile)

MATERIALS IN CONTACT WITH FLUID

(*) Ensure that the compatibility of the fluids in contact with the materials is verified

Body	Brass
Core tube	Stainless steel
Core and plugnut	Stainless steel
Springs	Stainless steel
Seat	Brass & Stainless steel
Seal and main disc	NBR
Top disc	PA all executions
Core guide	POM
Shading coil	Copper

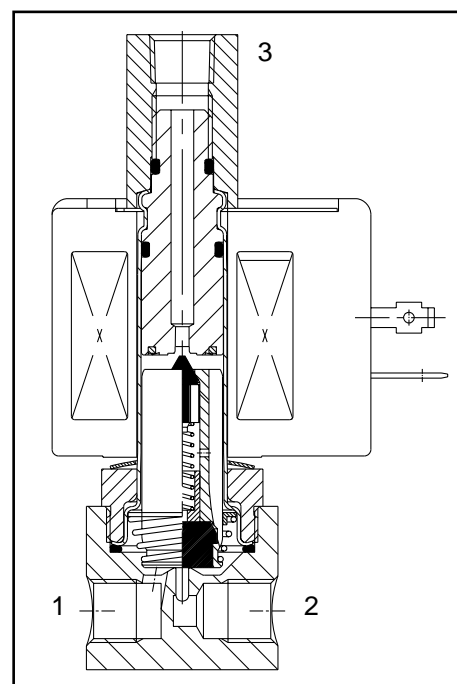
ELECTRICAL CHARACTERISTICS

Coil insulation class F
Connector Spade plug (cable Ø 6-10 mm)
Connector specification ISO 4400 / EN 175301-803, form A
Electrical safety IEC 335
Standard voltages DC (=): 24V
 (Other voltages and 60 Hz on request) AC (~): 24V - 115V - 230V / 50 Hz

coil type	power ratings				ambient temperature range (TS) (°C)	protection
	inrush		holding			
	~ (VA)	(VA)	~ (W)	= (W)		
CMXX-FT	55	23	10,5	9 / 11,2	-40 to +75	moulded IP65

SPECIFICATIONS

pipe size	orifice size	flow coefficient Kv		operating pressure differential (bar)								coil type		catalogue number	OPTIONAL			
				maximum (PS)											FPM	EPDM	CR	PTFE
				min.		air (*)		water (*)		oil (*)								
NPT	(mm)	(m ³ /h)	(l/min)	~	=	~	=	~	=	~	=	~	=					
U - Universal, NBR discs																		
1/8	1,2	0,03	0,5	0	11	5	11	4	11	4	CMXX-FT	CMXX-FT	SCB314C041	V	E	J	T	
	2,4	0,13	2,1	0	6	2	3	2	3	1	CMXX-FT	CMXX-FT	SCB314C043	V	E	J	T	
	3,2	0,21	3,5	0	3	1	2	1	2	1	CMXX-FT	CMXX-FT	SCB314C045	V	E	J	T	
NC - Normally closed, NBR discs																		
1/8	1,2	0,03	0,5	0	16	8	16	10	16	9	CMXX-FT	CMXX-FT	SCB314C031	V	E	J	T	
	2,4	0,13	2,1	0	9	4	7	5	7	2	CMXX-FT	CMXX-FT	SCB314C032	V	E	J	T	
	3,2	0,21	3,5	0	5	2	4	3	4	2	CMXX-FT	CMXX-FT	SCB314C033	V	E	J	T	
NC - Normally closed, air only, NBR discs, exhaust to atmosphere																		
1/8	1,2	0,03	0,5	0	16	-	-	-	-	-	CMXX-FT	-	SCB314C019	V	E	J	T	
	2,4	0,13	2,1	0	9	-	-	-	-	-	CMXX-FT	-	SCB314C020	V	E	J	T	
	3,2	0,21	3,5	0	5	-	-	-	-	-	CMXX-FT	-	SCB314C021	V	E	J	T	
NO - Normally open, NBR discs																		
1/8	1,2	0,03	0,5	0	20	14	20	14	20	8	CMXX-FT	CMXX-FT	SCB314C049	V	E	J	T	
	2,4	0,13	2,1	0	12	5	12	6	12	3	CMXX-FT	CMXX-FT	SCB314C050	V	E	J	T	
	3,2	0,21	3,5	0	6	3	6	3	6	2	CMXX-FT	CMXX-FT	SCB314C051	V	E	J	T	



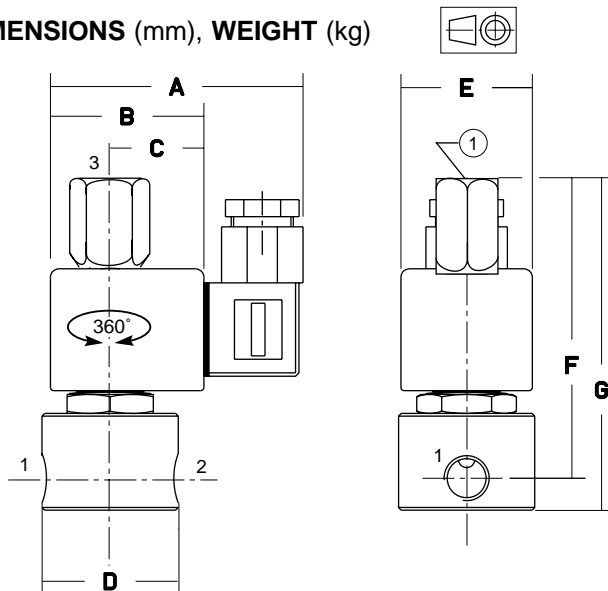
OPTIONS

- Valves can also be supplied with FPM (fluorelastomer), EPDM (ethylene-propylene), CR (chloroprene) and PTFE seals and discs. Use the appropriate optional suffix letter for identification
- Explosionproof enclosures for hazardous locations according to "ATEX/CENELEC" and national standards
- Explosionproof and watertight enclosures according to "NEMA" standards
- Compliance with "UL" and "CSA" standards
- Low power execution
- Manual operator
- Mounting bracket
- Plug with visual indication and with peak voltage suppression or with cable length of 2m

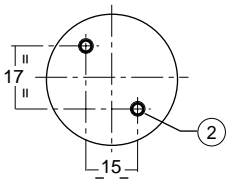
INSTALLATION

- The valves can be mounted in any position without affecting operation
- Mounting holes are provided in the body
- Pipe connection identifier is: B = NPT (ANSI 1.20.3)
- The third digit in the catalog number indicates the standard pipe connection
- Other pipe connections are available on request
- Installation/maintenance instructions are included with each valve
- Spare Parts Kit and replacement coils are available

DIMENSIONS (mm), WEIGHT (kg)



BOTTOM VIEW BODY



- ① 1/4 NPT (no threaded connection on C019, C020 and C021)
 ② 2 mounting holes Ø M4, depth 8 mm

catalogue number SCB314	A	B	C	D	E	F	G	weight (1)
C041 - C043 - C045 C031 - C032 - C033 C049 - C050 - C051 C019 - C020 - C021	80	50	30	32	45	90	99	0,45 0,40

(1) incl. coil and connector