

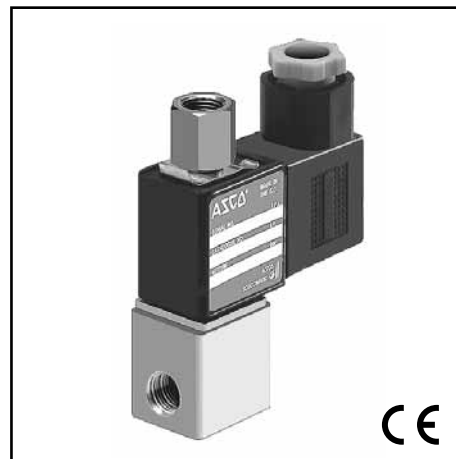
### FEATURES

- Direct acting three way compact valves which also can be used on sub-base manifolds
- Valves do not require a minimum operating pressure
- Internal parts are accessible for cleaning
- The solenoid valves satisfy all relevant EC Directives

### GENERAL

**Differential pressure** 0 to 10 bar [1 bar = 100 kPa]  
**Maximum viscosity** 65 cSt (mm<sup>2</sup>/s)  
**Response times** 5 - 25 ms

fluids (*)	temperature range (TS)	seal materials (*)
air, inert gas, water, oil	-20 to +90°C	NBR (nitrile) FPM (fluorelastomer)



### MATERIALS IN CONTACT WITH FLUID

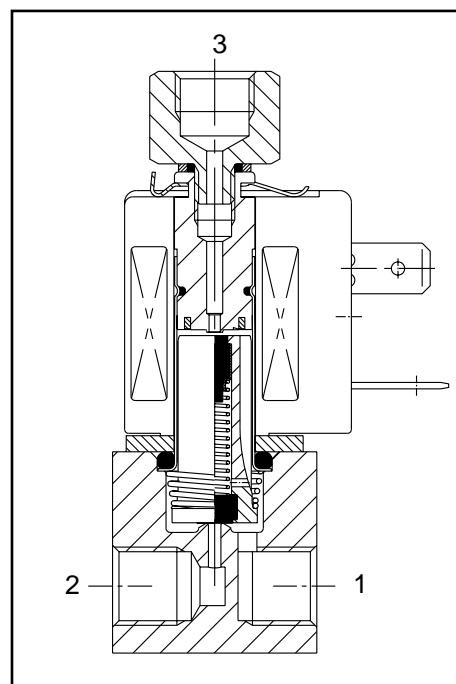
(\*) Ensure that the compatibility of the fluids in contact with the materials is verified

	Brass body	Stainless steel body
<b>Body</b>	Brass	AISI 303 SS
<b>Core tube</b>	Stainless steel	Stainless steel
<b>Core and plugnut</b>	Stainless steel	Stainless steel
<b>Springs</b>	Stainless steel	Stainless steel
<b>Seal &amp; discs</b>	NBR	FPM
<b>Shading coil</b>	Copper	Copper

### ELECTRICAL CHARACTERISTICS

**Coil insulation class** F  
**Connector** Spade plug (cable Ø 6-8 mm)  
**Connector specification** DIN 43650, 11 mm, industry standard B  
**Electrical safety** IEC 335  
**Standard voltages** DC (=): 24V  
 (Other voltages and 60 Hz on request) AC (-): 24V - 115V - 230V / 50 Hz

coil type	power ratings				ambient temperature range (TS) (°C)	protection
	inrush	holding		hot/cold		
	(VA)	(VA)	(W)	(W)		
CM22-FT	-	-	-	5 / 6,9	-20 to +75	moulded IP65
CM22-FB	14,5	11	6,3	-	-20 to +50	



### SPECIFICATIONS

pipe size	orifice size	flow coefficient Kv				operating pressure differential (bar)						catalogue number		OPTIONAL				
		main orifice		top exhaust		min.	maximum (PS)			brass	stainless steel	FPM (1)	EPDM	CR	PTFE			
		(m <sup>3</sup> /h)	(l/min)	(m <sup>3</sup> /h)	(l/min)		air (*)	water (*)	oil (*)									
G	(mm)	(m <sup>3</sup> /h)	(l/min)	(m <sup>3</sup> /h)	(l/min)		~	=	~	=	~	=						
<b>U Universal</b>																		
1/8	1,2	0,05	0,8	0,06	1,0	0	7,0	4,5	6,0	3,5	6,0	2,5	SCG325B001	SCG325B031V	V	E	J	T
	1,6	0,08	1,3	0,06	1,0	0	4,0	3,0	4,0	2,0	4,0	1,5	SCG325B002	SCG325B032V	V	E	J	T
	2,4	0,15	2,5	0,06	1,0	0	2,0	1,0	2,0	1,0	1,5	1,0	SCG325B003	SCG325B033V	V	E	J	T
	3,2	0,20	3,3	0,06	1,0	0	1,0	0,8	1,0	0,8	1,0	0,8	SCG325B004	SCG325B034V	V	E	J	T
<b>NC Normally closed</b>																		
1/8	1,2	0,05	0,8	0,06	1,0	0	10,0	10,0	10,0	10,0	8,0	8,0	SCG325B005	SCG325B035V	V	E	J	T
	1,6	0,08	1,3	0,06	1,0	0	7,0	7,0	7,0	7,0	5,0	5,0	SCG325B006	SCG325B036V	V	E	J	T
	2,4	0,15	2,5	0,06	1,0	0	4,0	4,0	4,0	4,0	2,5	2,5	SCG325B007	SCG325B037V	V	E	J	T
	3,2	0,20	3,3	0,06	1,0	0	2,5	2,5	2,5	2,5	2,0	2,0	SCG325B008	SCG325B038V	V	E	J	T
<b>NO Normally open</b>																		
1/8	1,2	0,05	0,8	0,06	1,0	0	7,0	7,0	7,0	5,0	7,0	3,5	SCG325B009	SCG325B039V	V	E	J	T
	1,6	0,08	1,3	0,06	1,0	0	7,0	4,0	7,0	2,5	7,0	2,0	SCG325B010	SCG325B040V	V	E	J	T
	2,4	0,15	2,5	0,06	1,0	0	7,0	1,5	7,0	1,5	6,0	1,5	SCG325B011	SCG325B041V	V	E	J	T
	3,2	0,20	3,3	0,06	1,0	0	5,0	1,0	5,0	1,0	4,5	1,0	SCG325B012	SCG325B042V	V	E	J	T

(1) Standard in stainless steel body valves, optional in brass body.

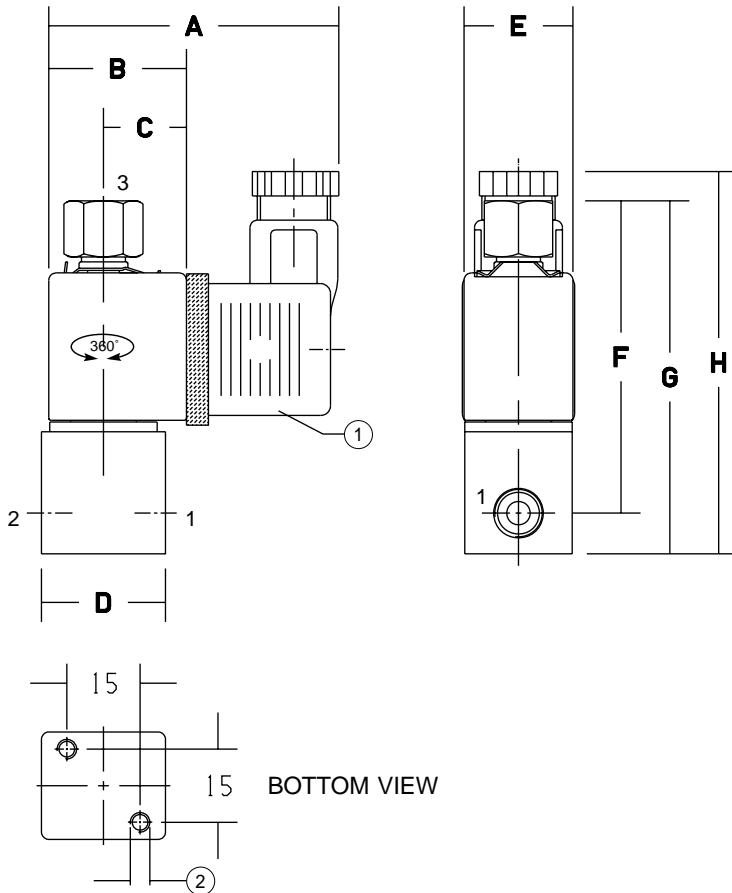
### OPTIONS

- Valves can also be supplied with EPDM (ethylene-propylene), CR (chloroprene) and PTFE seals and discs. Use the appropriate optional suffix letter for identification
- Encapsulated, EEx m, for hazardous locations according to "ATEX/CENELEC" and national standards
- Coils with leads
- Manual operator
- Plug with visual indication and with peak voltage suppression or with cable length of 2m
- Valves are suitable for sub-base gangmounting and can be supplied with manifolds up to 4, 8 or 12 valves, if requested

### INSTALLATION

- The valves can be mounted in any position without affecting operation
- 2 mounting holes are provided in the body
- Pipe connection identifier is: G = (ISO 228/1)
- Installation/maintenance instructions are included with each valve

### DIMENSIONS (mm), WEIGHT (kg)



- ① possibility to turn 180° to 180°  
 ② 2 mounting holes Ø M4, depth 9 mm

catalogue number SCG325B	A	B	C	D	E	F	G	weight (1)
001 ... 012	59	28	17	25	22	63	71	0,20
031 ... 042								0,20

(1) Including coil and connector