

## FEATURES

- Spool valve protected against food and beverage environment thanks to stainless steel screws
- The valves offer environmental protection against the ingress of liquids, dusts or other foreign matter (environmentally protected construction)
- For high reliability in very humid outside environments, the versions on page P524-1 should preferably be used.

## GENERAL

<b>Fluids</b>	Air or neutral gas, filtered, lubricated or not
<b>Operating pressure</b>	2 to 10 bar
<b>Ambient temperature</b>	-25°C to +60°C
<b>Flow (Qv to 6 bar)</b>	860 l/min (ANR) - Kv : 12,5

## CONSTRUCTION

### SPOOL VALVE

<b>Body</b>	Aluminium, black anodized
<b>Internal parts</b>	Zinc diecast, stainless steel, POM (polyacetal), aluminium
<b>Seals</b>	NBR (nitrile) and PUR (polyurethane)
<b>Screws</b>	Stainless steel 316L

### PILOT VALVE

<b>Seals</b>	NBR (nitrile) and PUR (polyurethane)
<b>Electrical safety</b>	IEC 335
<b>Coil and magnetic circuit</b>	Encapsulated monobloc design
<b>Exhaust</b>	Tapped M5 exhaust port, equipped with exhaust protection



## ELECTRICAL CHARACTERISTICS

voltage	consumption		insulation class	protection degree	electrical connection
	inrush	holding			
~ 24V - 48V - 115V - 230V / 50Hz	6 VA	3,5 VA (2,5 W)	F	IP 65	spade plug connector size 22 DIN 43650, industry standard B with cable length of 2m
= 24V - 48V	2,5 W				

## SPECIFICATIONS

symbol	operators	catalogue number	(M)
	solenoid air pilot (14) return (12)	with connector <b>SCG551A091MS</b>	●
	solenoid air	<b>SCG551A093MS</b>	●

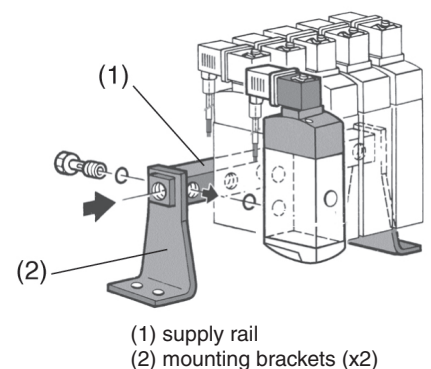
(M) Type of manual operator on pilot(s): ● : maintained

## ACCESSORIES

- Supply rails

	supply rail supplied with seals and banjo bolts (without mounting brackets) (1)	supply rail with isolation valves - allows isolation of one or more spool valves from the main pressure supply
<b>supply rail for «n» valves</b>	G 1/4	G 1/4
2	<b>88100034</b>	<b>88100915</b>
3	<b>88100035</b>	<b>88100916</b>
4	<b>88100036</b>	<b>88100917</b>
5	<b>88100037</b>	<b>88100918</b>
6	<b>88100038</b>	<b>88100919</b>
7	<b>88100039</b>	<b>88100920</b>
8	<b>88100040</b>	<b>88100921</b>

- Set of 2 mounting brackets (2) for supply rail - catalogue number : **88100049**



### OPTIONS

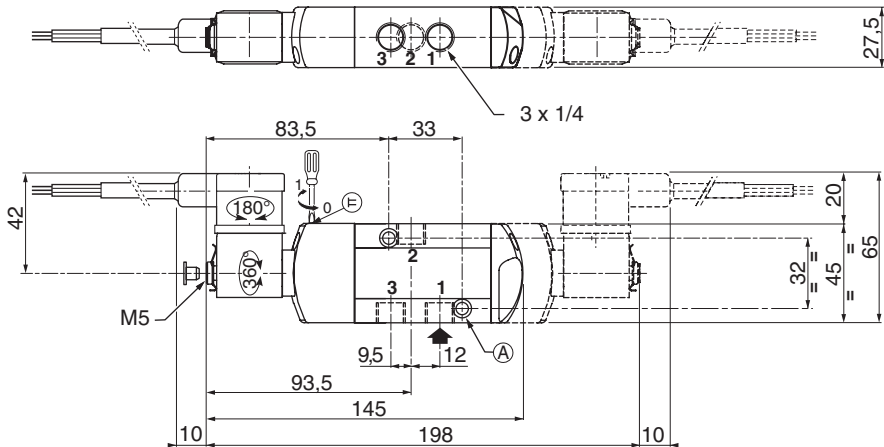
- Other voltages and 60 Hz on request
- Spade connector size 22, IP67 with integrated visual LED and varistor protection with PVC 0,75mm<sup>2</sup> cable lenght of 2 m : **88100937**
- Solenoid valve with connector equipped with visual indicator and built-in electrical protection:

catalogue number of spool valve without connector + catalogue number of connector with visual indicator and built-in electrical protection (~ / =)

24V	48V	115V	230V
<b>88122405</b>	<b>88122406</b>	<b>88122407</b>	<b>88122410</b>

### DIMENSIONS (mm), WEIGHT (kg)

Weight: Spool valve + 1 pilot = 0,33 kg  
 Spool valve + 2 pilots = 0,47 kg

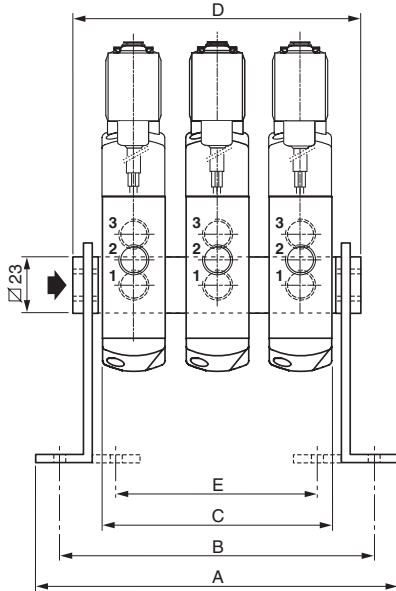


3/2 NC  
 connection  
 1 = Pressure  
 2 = Outlet  
 3 = Exhaust  
 10 = Return  
 12 = Pilot

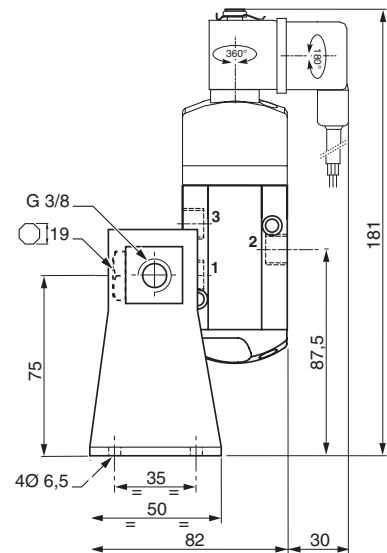
2 mounting holes:

Ⓐ 5,3 mm dia. (Spotfacing: 9 mm dia., depth 5 mm)

### ASSEMBLY WITH COMMON SUPPLY RAIL



series 551	number of valves							
	2	3	4	5	6	7	8	
A	108	136	164	192	220	248	276	
B	92	120	148	176	204	232	260	
C	55	83	111	139	167	195	223	
D	78	106	134	162	190	218	246	
E	42	70	98	126	154	182	210	
type	weight (kg)							
with 1 pilot	1,0	1,4	1,8	2,1	2,5	3,0	3,4	
with 2 pilots	1,3	1,8	2,2	2,7	3,2	3,7	4,2	



This mounting arrangement allows valves to be mounted in any of 4 positions

