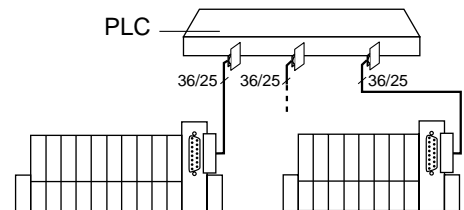
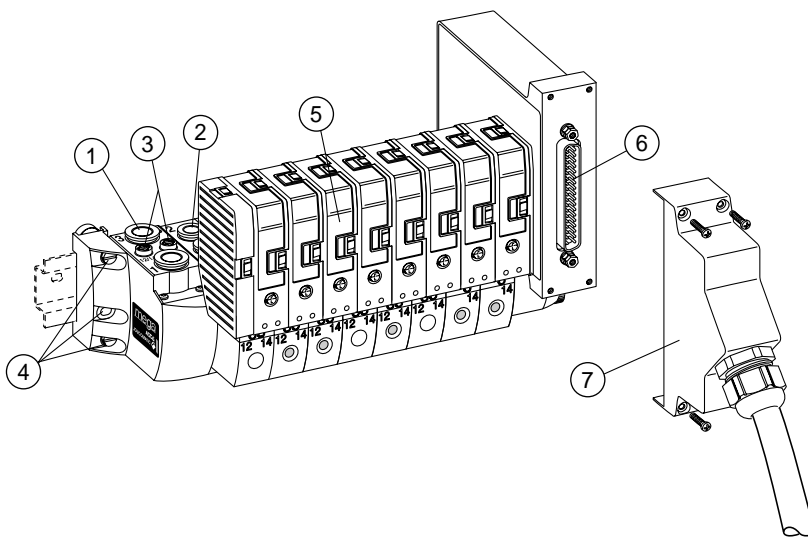


- Pneumatic spool valve island for connection with a control system (PLC) with a multiwire cable for simple wiring.
- Easy connection due to SUB-D connector and IP65 rated female connector.
- The IP65 protection class allows for direct incorporation of the MEGA island into a machine, close to the actuators thus allowing for an increased number of production cycles.

COMBINATIONS

- Modules with up to 16 MEGA spool valves for frame or DIN EN50022 rail mounting can be grouped together.
- Optional mixing of:
 - all spool valve functions,
 - 6 or 8 mm O.D. instant fittings.
 - Different types of manual override: impulse-type or locking push/turn-type.
 - Internal and external pilot pressure supply.
 - Pressure separation plate and intermediate pressure supply module.



- ① Ports 1 - 3/5 : with instant fittings for flexible hose O.D. 10 mm or G1/4 thread
- ② Ports 2 - 4 : with instant fittings for flexible hose O.D. 6 or 8 mm
- ③ Ports 12/14 - 82/84 : with instant fittings for flexible hose O.D. 4 mm or ØM5 thread
- ④ Frame (2 Ø4.2) or DIN rail mounting
- ⑤ Interconnection modules
- ⑥ Electrical connection with SUB-D connector
 - 25 male SUB-D pins for 10 spool valves (monostable or bistable)
 - 37 male SUB-D pins for 16 spool valves (monostable or bistable)
- ⑦ Female IP65 Multipol connector with cable lengths of 2, 5 or 10m

ELECTRICAL AND PNEUMATIC CHARACTERISTICS (see page 6)

Electromagnetic compatibility : in accordance with EU directive EMC 89/336/EEC - CE mark

ORDERING INFORMATION

Multipol IP65 spool valve islands are delivered pre-assembled, tested, ready for installation.

To order:

- Specify the MEGA Multipol-IP65 spool valve island in the 2 or 3 reference lines according to the desired assembly (see following pages).
- The IP65 rated female connector with 25 or 35 female pin SUB-D connector + cable ⑦ is to be ordered separately (see below).
- Mounting and pneumatic accessories as required (see page 10).
- Supply of installation manual, code : **88157878**

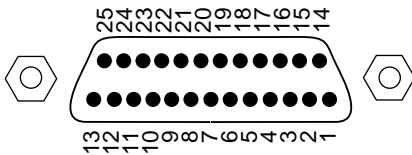
NOTE: For an easy ordering of a spool valve island, use the configurator available at www.ascojoucomatic.com which will help you to completely fill in the reference lines for an island in accordance with the desired application and automatically specify the list of all the necessary components.

ACCESSORIES FOR MEGA MULTIPOL - IP65

accessory	description		catalogue number
	IP65 rated female connector with 25 female pin SUB-D connector (for 10 spool valves) + PVC cable. Length:	2 m	88100514
		5 m	88100517
		10 m	88100522
	IP65 rated female connector with 37 female pin SUB-D connector (for 16 spool valves) + PVC cable. Length:	2 m	88100534
		5 m	88100537
		10 m	88100542

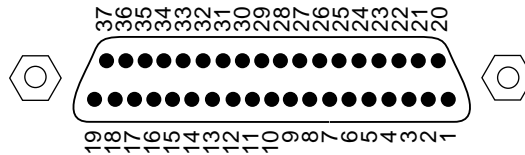
ELECTRICAL CONNECTION

25-pin SUB-D connector
(view on male pin side)



Pin no.	Assignment	Pin no.	Assignment
1	PE	14	common (GND)
2	V1.14	15	V1.12
3	V2.14	16	V2.12
4	V3.14	17	V3.12
5	V4.14	18	V4.12
6	V5.14	19	V5.12
7	V6.14	20	V6.12
8	V7.14	21	V7.12
9	V8.14	22	V8.12
10	V9.14	23	V9.12
11	V10.14	24	V10.12
12	-	25	-
13	-		

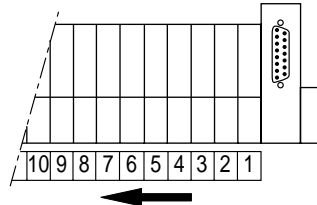
37-pin SUB-D connector
(view on male pin side)



Pin no.	Assignment	Pin no.	Assignment	Pin no.	Assignment
1	PE	14	V13.14	26	V6.12
2	V1.14	15	V14.14	27	V7.12
3	V2.14	16	V15.14	28	V8.12
4	V3.14	17	V16.14	29	V9.12
5	V4.14	18	-	30	V10.12
6	V5.14	19	-	31	V11.12
7	V6.14	20	common (GND)	32	V12.12
8	V7.14	21	V1.12	33	V13.12
9	V8.14	22	V2.12	34	V14.12
10	V9.14	23	V3.12	35	V15.12
11	V10.14	24	V4.12	36	V16.12
12	V11.14	25	V5.12	37	-
13	V12.14				

Legend:

V1 = consecutive spool valve number (see opposite)
 14 = pilot
 12 = return (5/2 bistable or 5/3)



Take the pilot signal into account when assigning a 2 x 3/2 NC spool valve (monostable with spring return - type K):
 - 12A instead of 12
 - 12B instead of 14

ORDERING INFORMATION FOR MEGA ISLAND

MEGA island with MULTIPOL IP65

MEGA ISLAND

Island versions

MULTIPOL IP65 :		Type
SUB-D 25	Island with max. 10 spool valves	One pressure inlet on left-hand side M1
		With pressure inlet on left-hand and right-hand side M2
SUB-D 37	Island not designed for future extension	One pressure inlet on left-hand side M3
		With pressure inlet on left-hand and right-hand side M4
	Island designed for future extension (max. 16 valves)	One pressure inlet on left-hand side M5
		With pressure inlet on left-hand and right-hand side M6

Port connections: 2 - 4

Instant fittings	Type
Ø8mm O.D.	E
Ø6mm O.D.	S
Mixed (E & S) on island ⁽¹⁾	P

Auxiliary manual override

Override	Type
(▼) impulse	1
(●) locking (push-turn)	2
Mixed (1 & 2) on island ⁽¹⁾	P

Pilots supply 12/14

Supply	Type
Internal	I
External	E
Mixed (I & E) on island ⁽¹⁾	P

Port connections: 1 - 3 / 5

Instant fittings	Type
10 mm O.D.	Q
G1/4	G

Option

without option	00
other options	.. 99

Island mounting

Mounting	Delivery	Type
On frame (2 x Ø4.2)	Assembled	A
On rail EN 50022 - DIN	Assembled	C

(1) Different spool valve versions can be mixed on an island. In this case:

- indicate type "P" in the BAS-Interfacec reference ①
- fill in reference line ③

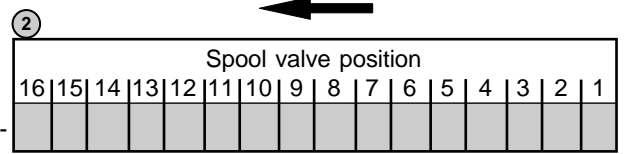
ORDERING EXAMPLE : ① 678M4E2EG00A

② MMJWMEEJJJJJ

MEGA island, Multipol IP65, not designed for future extension, with SUB-D 37 connector. Unit supplied assembled, with end covers for frame mounting and two pressure or vacuum inlets, left and right, G1/4 thread. 12 spool valves for connection with 8 mm OD instant hose fittings, locking-type manual override, external pilot (versions not mixed).

Spool valve types:

- seven bistable 5/2 spool valves, type J, in positions 1 to 6 and 11
- two 5/3 spool valves, centre open to exhaust (W3), type E, in positions 7 and 8
- three monostable 5/2 spool valves, type M, in positions 9, 12 and 13
- one pressure separation plate, flow path 1 blocked, type W, in position 10



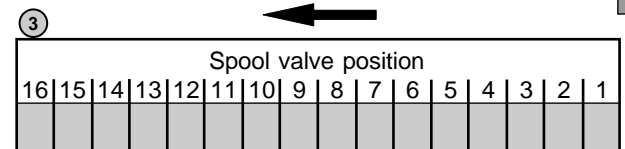
Please indicate the type of spool valve or accessory required

Spool valves (functions)	Type
2 x 3/2 NC-NC	K
5/2 - Solenoid air operated pilot, spring return (monostable)	S
5/2 - Solenoid air operated pilot, differential return (monostable)	M
5/2 - Solenoid air operated pilot and return (bistable)	J
5/3 - Pressure held (W1)	G
5/3 - Pressure applied (W2)	B
5/3 - Exhaust released (W3)	E
Reserve module (to be placed at the left end of the island)	A

For detailed information on spool valves see page 6

Accessories	Type
Intermediate pressure supply module (connection is identical to that selected for ports 1 - 3/5 of end covers, see opposite)	D
Pressure separation plate (see page 37) :	
• Total blocking of 1, 3 and 5 (no connection)	X
• Blocking of 3 and 5 (port 1 connection maintained)	Y
• Blocking of 1 (ports 3 and 5 connections maintained) ..	W
• No blocking (ports 1, 3 and 5 connections maintained)	V
• Blocking of 5 (ports 1 and 3 connections maintained) ..	T
• Blocking of 3 (ports 1 and 5 connections maintained) ..	R

(2) Mounting of module D requires a pressure separation plate to be written in two positions (e.g. DX or XD, see page 37)



Spool valve versions (with mixed connections)			
Port connections 2 - 4	Manual override	Pilots 12/14	Type
Instant fittings 8 mm O.D.	(▼) impulse	Internal	1
		External	2
	(●) locking	Internal	3
		External	4
Instant fittings 6 mm O.D.	(▼) impulse	Internal	5
		External	6
	(●) locking	Internal	7
		External	8

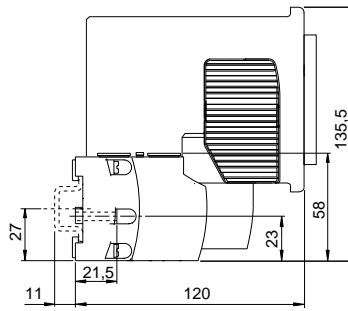
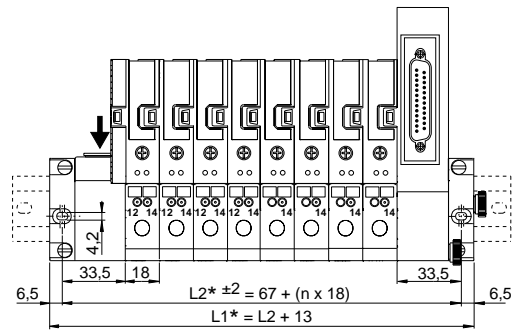


How to fill in reference line ③ :

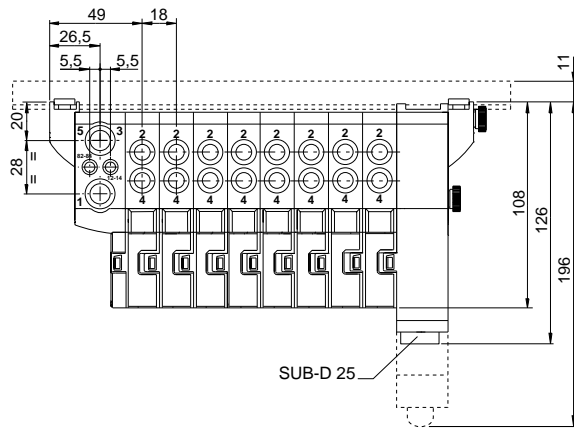
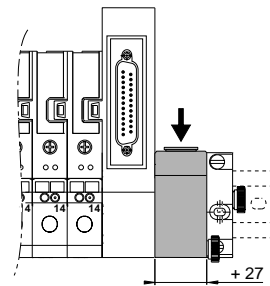
- Fill in **only** if different spool valve versions are to be mixed on an island.
- Use the spool valve position numbers specified in reference ②.
- Repeat the type of accessory in the same position number as specified in reference ②.

DIMENSIONS AND WEIGHTS

■ Island with up to 8 spool valves
(pressure supply from left side)



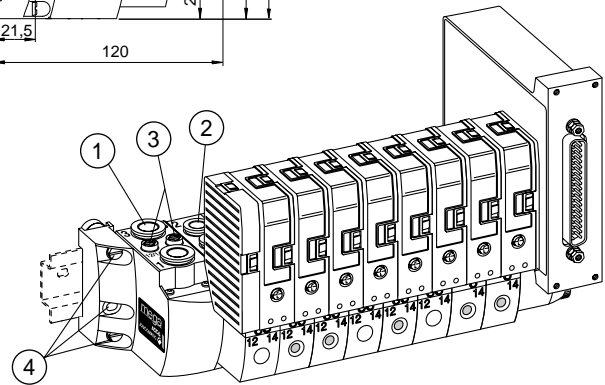
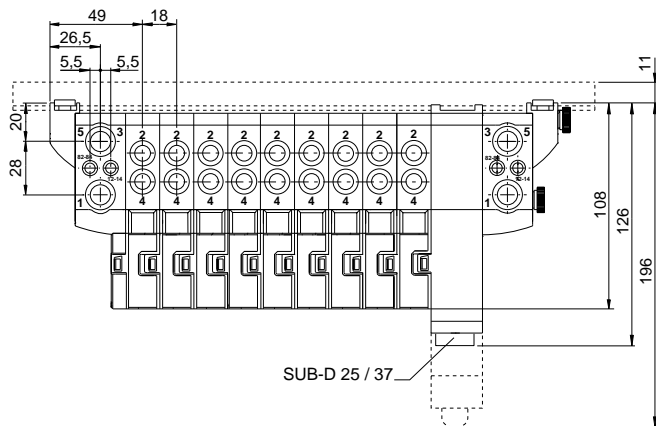
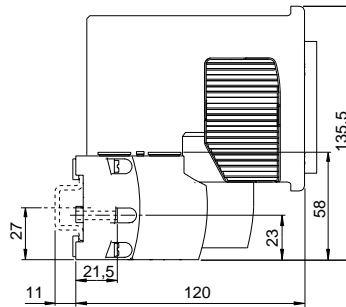
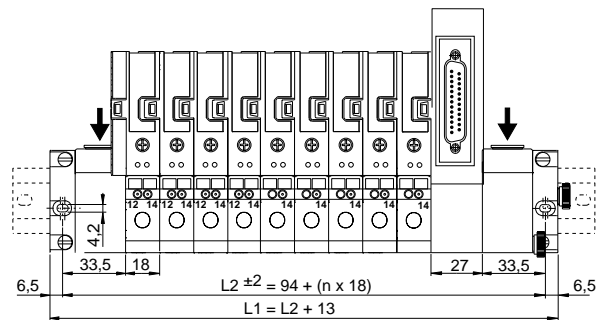
■ Version with pressure supply from left **and/or** right side



	number of spool valves					right side pressure supply
	4	5	6	7	8	
L2* (±2)	139	157	175	193	211	+ 27
L1*	152	170	188	206	226	+ 27
Weight (kg)	0.800	0.930	1.060	1.190	1.320	+0.050

* Dimensions of island with pressure supply from left side

■ Island with 9 to 16 spool valves



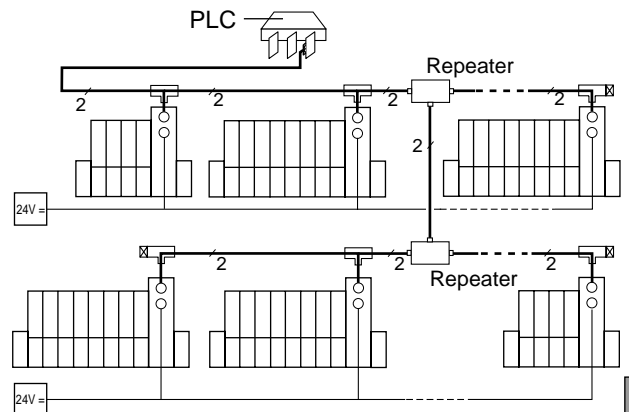
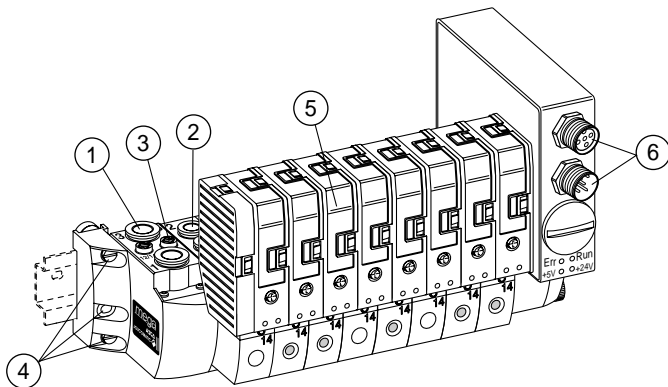
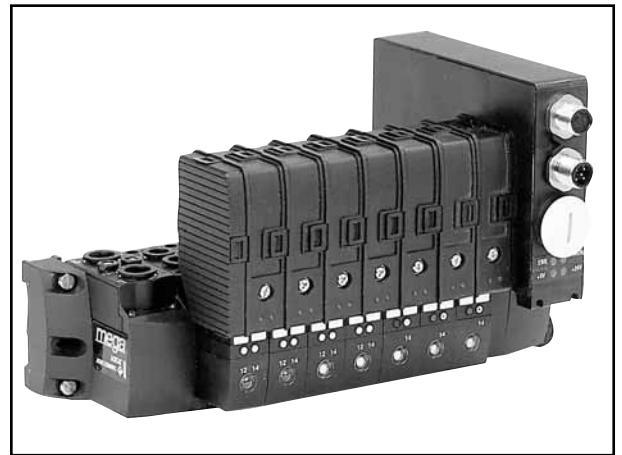
- ① Ports 1 - 3/5 : with instant fittings for flexible hose O.D. 10 mm or G1/4 thread
- ② Ports 2 - 4 : with instant fittings for flexible hose O.D. 6 or 8 mm
- ③ Ports 12/14 - 82/84 : with instant fittings for flexible hose O.D. 4 mm or ØM5 thread
- ④ Frame (2 Ø4.2) or DIN rail mounting

	number of spool valves							
	9	10	11	12	13	14	15	16
L2 (±2)	256	274	292	310	328	346	364	382
L1	269	287	305	323	341	359	377	395
Weight (kg)	1.500	1.630	1.760	1.890	2.020	2.150	2.280	2.410

- Pneumatic spool valve island for data exchange via field bus and standardised PROFIBUS-DP protocol.
- Up to 16 bistable spool valves can be linked to one PROFIBUS-DP interface.
- Easy cabling with M12 connectors.
- IP65 protection allowing for direct mounting on machines, close to the actuators.
- High performance, modular, easy-to-install unit with LED indicators for easy diagnostic analysis and maintenance.

COMBINATIONS

- Units can be grouped as follows:
 - One PROFIBUS-DP island with up to 16 bistable MEGA spool valves.
- Frame or DIN EN 50022 rail mounting.
- Optional mixing of:
 - all spool valve functions,
 - 6 or 8 mm O.D. instant fittings.
 - Different types of manual override: impulse-type or locking push/turn-type.
 - Internal and external pilot pressure supply.
 - Pressure separation plate and intermediate pressure supply module.



- ① Ports 1 - 3/5 : with instant fittings for flexible hose O.D. 10 mm or G1/4 thread
- ② Ports 2 - 4 : with instant fittings for flexible hose O.D. 6 or 8 mm
- ③ Ports 12/14 - 82/84 : with instant fittings for flexible hose O.D. 4 mm or ØM5 thread
- ④ Frame (2 Ø4.2) or DIN rail mounting
- ⑤ Interconnection modules
- ⑥ Electrical M12 connectors for bus cable and power supply

ELECTRICAL CHARACTERISTICS (see following page)

PNEUMATIC CHARACTERISTICS (see page 6)

ORDERING INFORMATION

MEGA spool valve islands with PROFIBUS-DP protocol are delivered pre-assembled, tested and ready for installation

To order:

- Specify the MEGA PROFIBUS-DP spool valve island in the 2 or 3 reference lines according to the desired assembly (see following pages).
- Wiring accessories must be ordered separately as required (see following pages).
- Mounting and pneumatic accessories must be ordered separately as required (see page 10).
- Installation Manual - code: **88157966**

NOTE: For an easy ordering of a spool valve island, use the configurator available at www.ascojoucomatic.com which will help you to completely fill in the reference lines for an island in accordance with the desired application and automatically specify the list of all the necessary components.

PROFIBUS-DP SPOOL VALVE ISLANDS

The islands and the control system (PLC) are connected by a PROFIBUS-DP bus cable to pilot the spool valves. A second cable is used for the 24 V DC power supply of the network interface and the spool valves.

COMMUNICATION CHARACTERISTICS

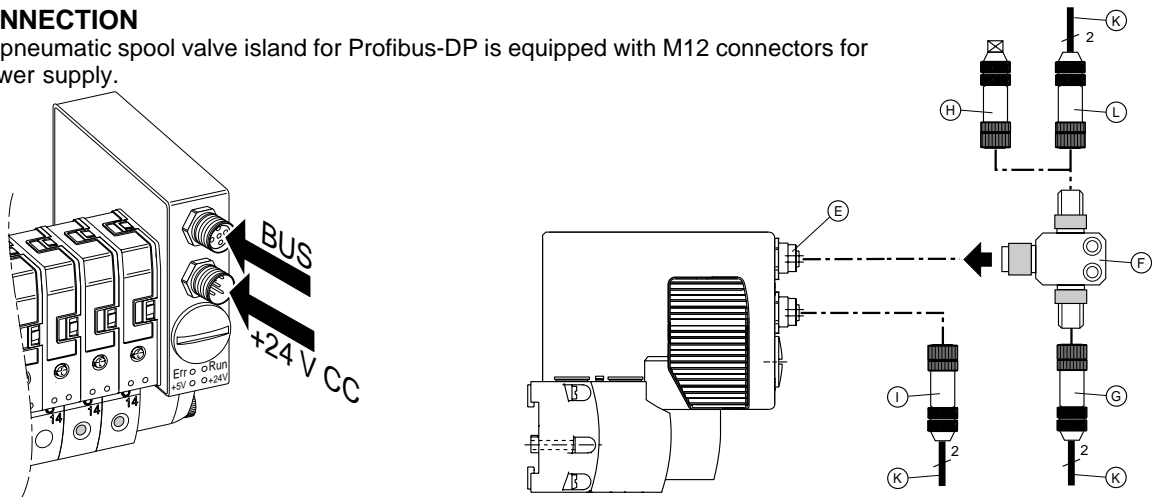
Communication protocol	: PROFIBUS-DP (DIN19245 - part 3 - EN50170)
Transmission	: shielded twisted pair, RS 485 interface
Bus structure	: line or tree structure with repeaters
Max. number of spool valve islands	: 97 islands (121 participants)
Number of valves per island	: 4 to 16 spool valves
Max. bus cable length	: 100 m - 1200 m, depending on transmission speed
Transmission speed	: automatic selection from 9.6 Kbaud to 12 Mbaud
Island addressing (participants)	: integrated rotary-type switches
Compatibility with control system	: no modification of current programs
Compatible equipment	: SIEMENS, SCHNEIDER, etc.

ELECTRICAL CHARACTERISTICS

Supply voltage	: 24 VDC, $\pm 10\%$. The spool valves can be supplied separately.
Consumption	: 75 mA per coil on power supply <100 mA for interfacepower supply
Protection	: IP65 (coil insulation class: F)
Electrical insulation	: optocouplers
Peak voltage suppression	: integrated in the island for each coil
Bus connection (IN/OUT)	: female M12 socket
24 V supply connection	: male M12 socket
Earth conection	: at middle pin of M12 connectors
Electromagnetic compatibility	: in accordance with EU directive EMC 89/336/EEC. CE mark

PROFIBUS-DP CONNECTION

The front panel of the pneumatic spool valve island for Profibus-DP is equipped with M12 connectors for the bus cable and power supply.



ACCESSORIES FOR PROFIBUS-DP

		description		catalogue number
Power supply	I	5-pin female connector M12 for 24V DC power supply for 6 - 8 mm cable		88100682
	F	M12 T-connector for Profibus-DP		88100711 88100712
Profibus-DP B-coded	G	5-pin female connector M12 for Profibus-DP for 6 - 8 mm cable		88100713
	L	5-pin male connector M12 for Profibus-DP for 6 - 8 mm cable		88100714
	H	Male terminating resistor for Profibus-DP		88100716
			3 1/2" floppy disk JM-VB-JOUCOMATIC for the configuration of the PLC controller card intended for Buslink Profibus-DP islands	

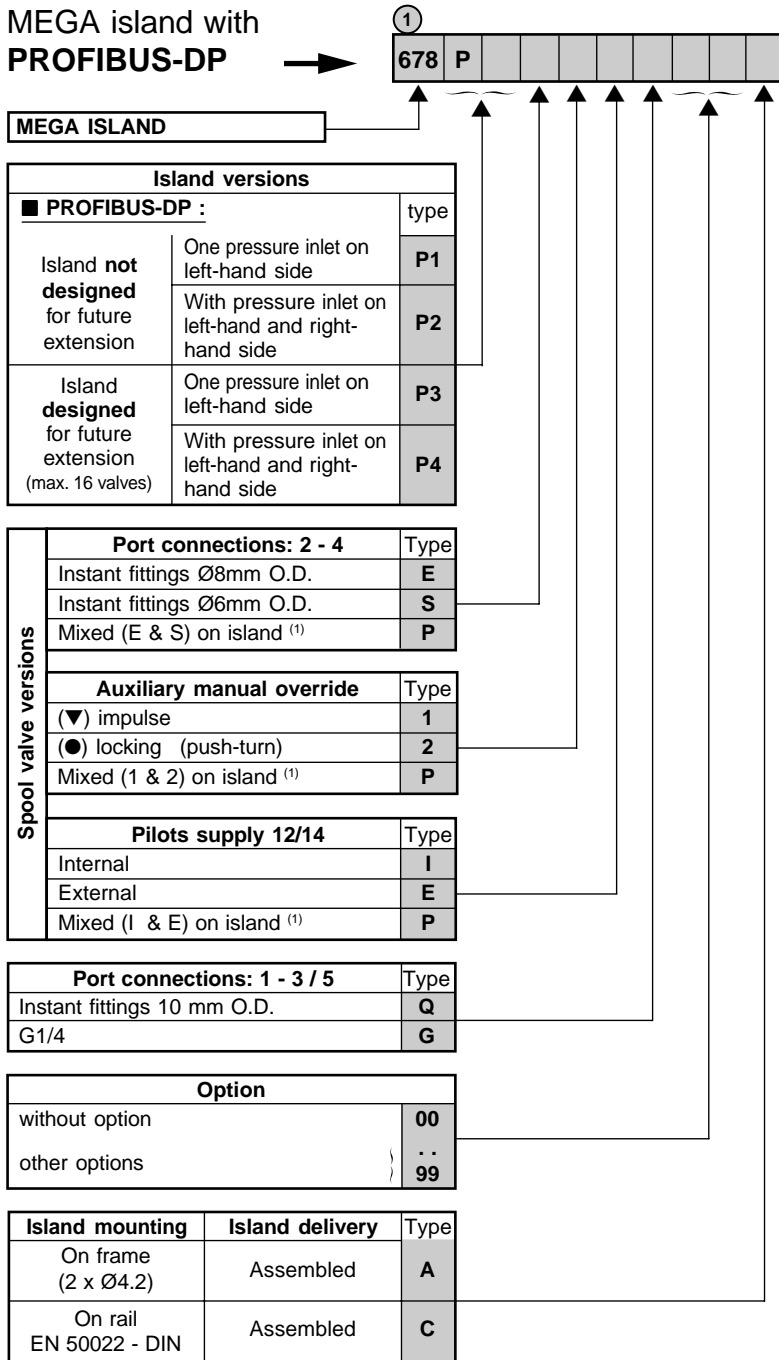
(K): Cable to be ordered separately.

Connectors dimensions : see installation manual

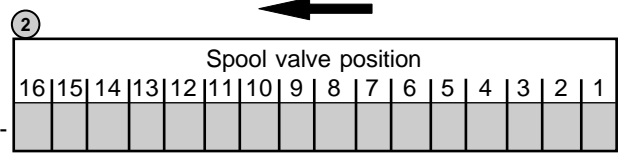
All leaflets available on: www.ascojoucomatic.com

ORDERING INFORMATION FOR MEGA ISLAND

MEGA island with PROFIBUS-DP



(1) Different spool valve versions can be mixed on an island. In this case:
 - indicate type "P" in the bAS-Interfacec reference (1)
 - fill in reference line (3)



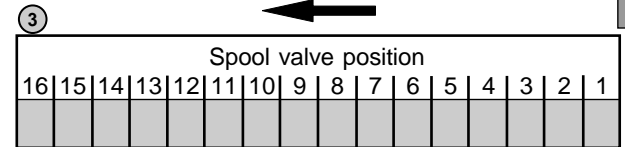
Please indicate the type of spool valve or accessory required

Spool valves (functions)		Type
2 x 3/2 NC-NC		K
5/2 - Solenoid air operated pilot, spring return (monostable)		S
5/2 - Solenoid air operated pilot, differential return (monostable)		M
5/2 - Solenoid air operated pilot and return (bistable)		J
5/3 - Pressure held (W1)		G
5/3 - Pressure applied (W2)		B
5/3 - Exhaust released (W3)		E
Reserve module (to be placed at the left end of the island)		A

For detailed information on spool valves see page 6

Accessories		Type
Intermediate pressure supply module (connection is identical to that selected for ports 1 - 3/5 of end covers, see opposite)		D
Pressure separation plate (see page 37) :		
• Total blocking of 1, 3 and 5 (no connection)		X
• Blocking of 3 and 5 (port 1 connection maintained)		Y
• Blocking of 1 (ports 3 and 5 connections maintained) ..		W
• No blocking (ports 1, 3 and 5 connections maintained)		V
• Blocking of 5 (ports 1 and 3 connections maintained) ..		T
• Blocking of 3 (ports 1 and 5 connections maintained) ..		R

(2) Mounting of module D requires a pressure separation plate to be written in two positions (e.g. DX or XD, see page 37)



Spool valve versions (with mixed connections)			
Port connections 2 - 4	Manual override	Pilots 12/14	Type
Instant fittings 8 mm O.D.	(▼) impulse	Internal	1
	(▼) impulse	External	2
Instant fittings 6 mm O.D.	(●) locking	Internal	3
	(●) locking	External	4
Instant fittings 6 mm O.D.	(▼) impulse	Internal	5
	(▼) impulse	External	6
Instant fittings 6 mm O.D.	(●) locking	Internal	7
	(●) locking	External	8



How to fill in reference line (3) :

- Fill in **only** if different spool valve versions are to be mixed on an island.
- Use the spool valve position numbers specified in reference (2).
- Repeat the type of accessory in the same position number as specified in reference (2).

ORDERING EXAMPLE: (1) **678P4E2EG00A**
 (2) **MMJWMEEJJJJJ**

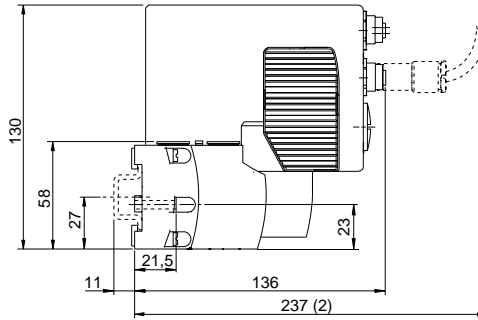
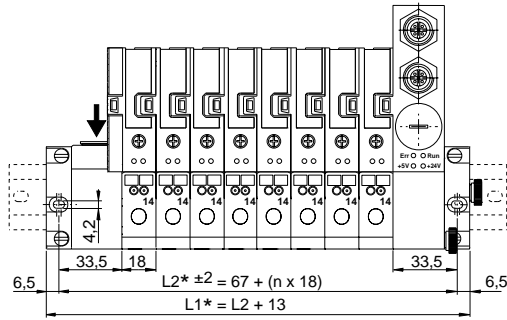
MEGA island, PROFIBUS-DP, designed for future extension. Unit supplied assembled, with end covers for frame mounting and two pressure or vacuum inlets, left and right, G1/4 thread. 12 spool valves for connection with 8 mm OD instant hose fittings, locking-type manual override, external pilot (versions not mixed).

Spool valve types:

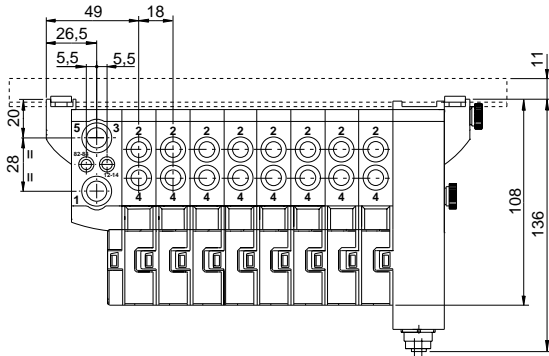
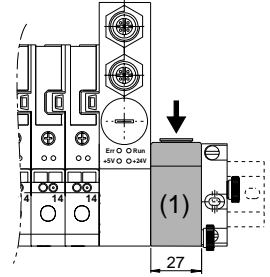
- seven bistable 5/2 spool valves, type J, in positions 1 to 6 and 11
- two 5/3 spool valves, centre open to exhaust (W3), type E, in positions 7 and 8
- three monostable 5/2 spool valves, type M, in positions 9, 12 and 13
- one pressure separation plate, flow path 1 blocked, type W, in position 10

DIMENSIONS AND WEIGHTS

■ Island with up to 8 spool valves (pressure supply from left side)



■ Version with pressure supply from left and/or right side



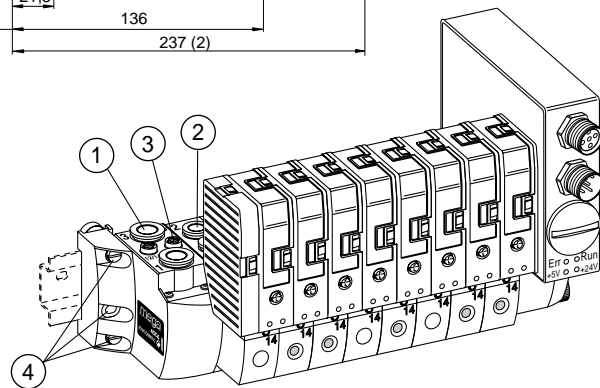
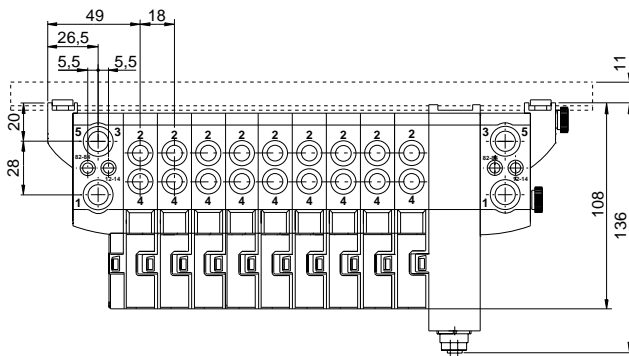
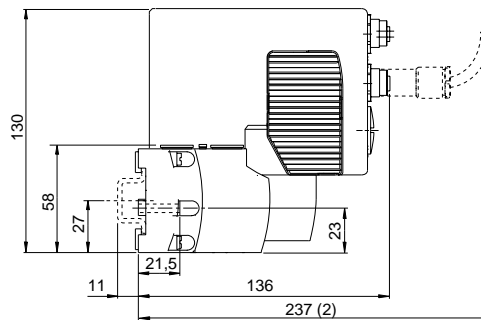
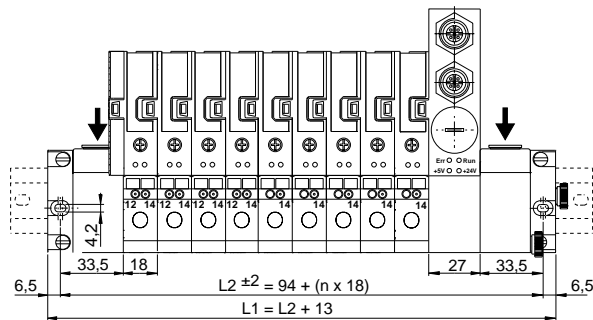
	number of spool valves					right side pressure supply (1)
	4	5	6	7	8	
L2* (±2)	139	157	175	193	211	+ 27
L1*	152	170	188	206	224	+ 27
Weight (kg)	0.940	1.070	1.200	1.380	1.460	+0.050

* Dimensions of island with pressure supply from left side.

(1) Possibility of equipping islands with 4 to 8 spool valves with a supplementary right side pressure supply module (extra lengths must be added).

(2) 165 mm with T-connector

■ Island with 9 to 16 spool valves



- ① Ports 1 - 3/5 : with instant fittings for flexible hose O.D. 10 mm or G1/4 thread
- ② Ports 2 - 4 : with instant fittings for flexible hose O.D. 6 or 8 mm
- ③ Ports 12/14 - 82/84 : with instant fittings for flexible hose O.D. 4 mm or ØM5 thread
- ④ Frame (2 Ø4.2) or DIN rail mounting

	number of spool valves							
	9	10	11	12	13	14	15	16
L2 (±2)	256	274	292	310	328	346	364	382
L1	269	287	305	323	341	359	377	395
Weight (kg)	1.500	1.630	1.760	1.890	2.020	2.150	2.280	2.410